

Field Game
AR103 Spring 2017

Luz Carlos - Orthogonal
Michelle Ortiz - Diagonal
Majd Nazo - Arc

Glossary

Orthogonal- At 90 degrees
Diagonal- NOT at 90 degrees
Arc- Segment of a circle or ellipse

Opaque- NOT see-through
Transparent- See-through

Planar- Referring to 2-dimensionally defined forms
Volumetric- Referring to 3-dimensionally defined forms
Linear- Referring to one-dimensionally defined forms

Juxtapose- Arrange next to, or stack on top of, connect to the surface.

Intersect- Two objects interpenetrate without displacement or fragmentation

Slice- New construction cuts into previous construction, it displaces and fragments it.

Cut- New construction cuts and removes part(s) of previous construction, cuts into board.

Rogue Agents

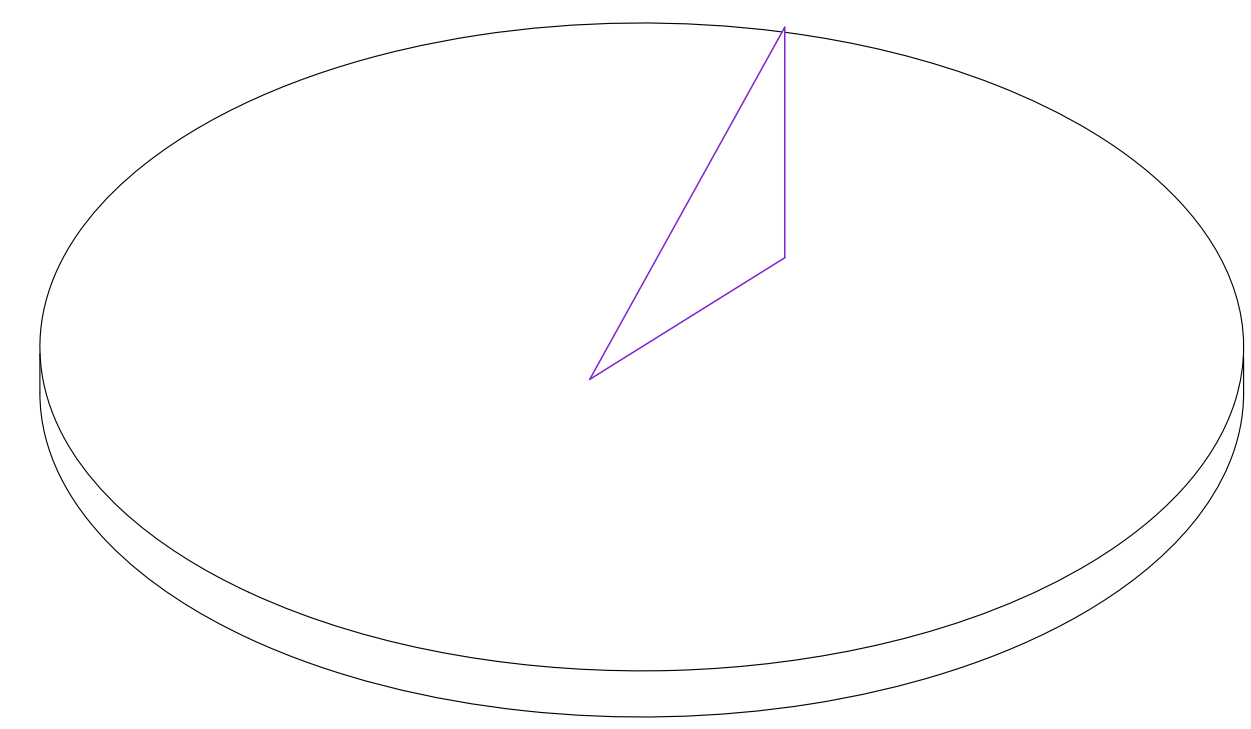
Void- Formal logic manifests as negative space, by excavating / cutting into previous constructions and board

Displace- New construction from detaching / cutting and rearranging parts of previous construction

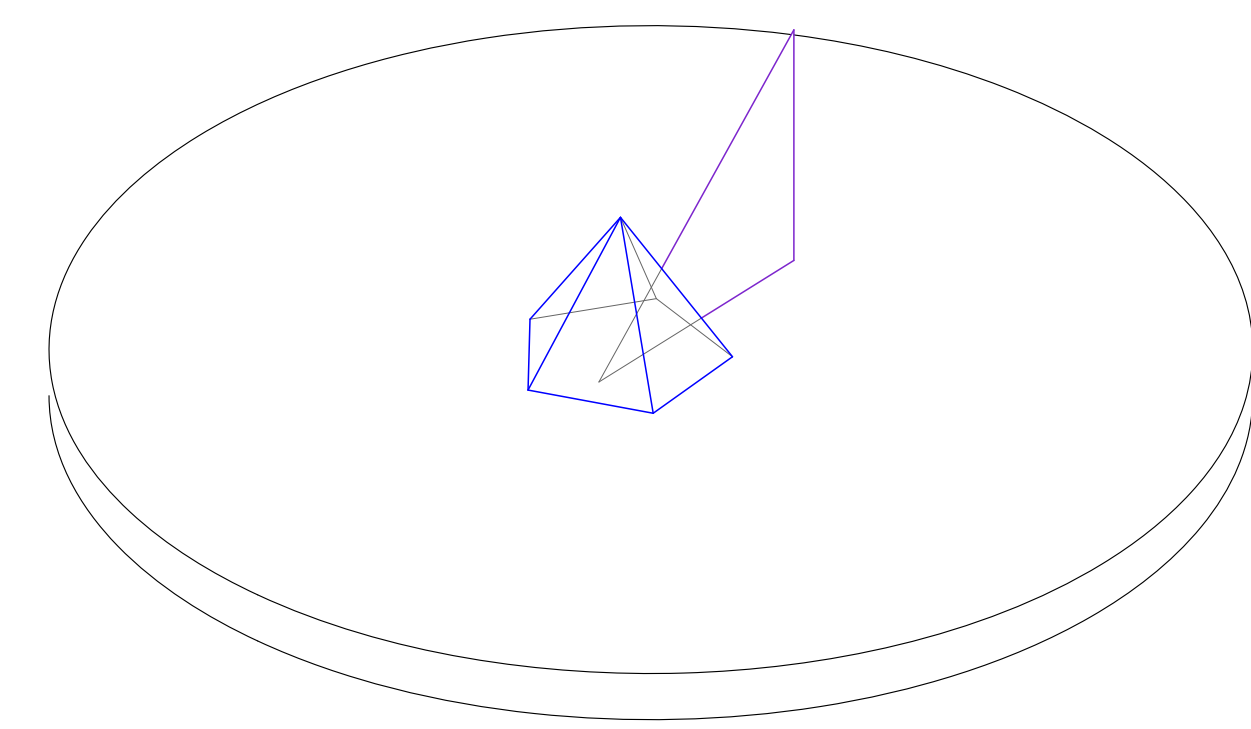
Imprint- Formal logic manifests as 2D on surfaces of previous construction and board

	Orthogonal	Diagonal	Arc	Orthogonal	Diagonal	Arc	Orthogonal	Diagonal	Arc
Orthogonal	O	D	A	O	D	A	O	D	A
Diagonal	O	T	O	T	O	T	O	T	O
Arc	P	V	L	L	P	V	V	L	P
Orthogonal	J	I	S	C	J	I	S	C	J
Diagonal	O	D	A	O	D	A	O	D	A
Arc	T	O	T	O	T	O	T	O	T
Orthogonal	L	P	V	P	V	L	V	L	P
Diagonal	I	S	C	J	I	S	C	J	I
Arc	O	T	O	T	O	T	O	T	O
Orthogonal	V	L	P	P	V	L	L	P	V
Diagonal	S	C	J	I	S	C	J	I	S

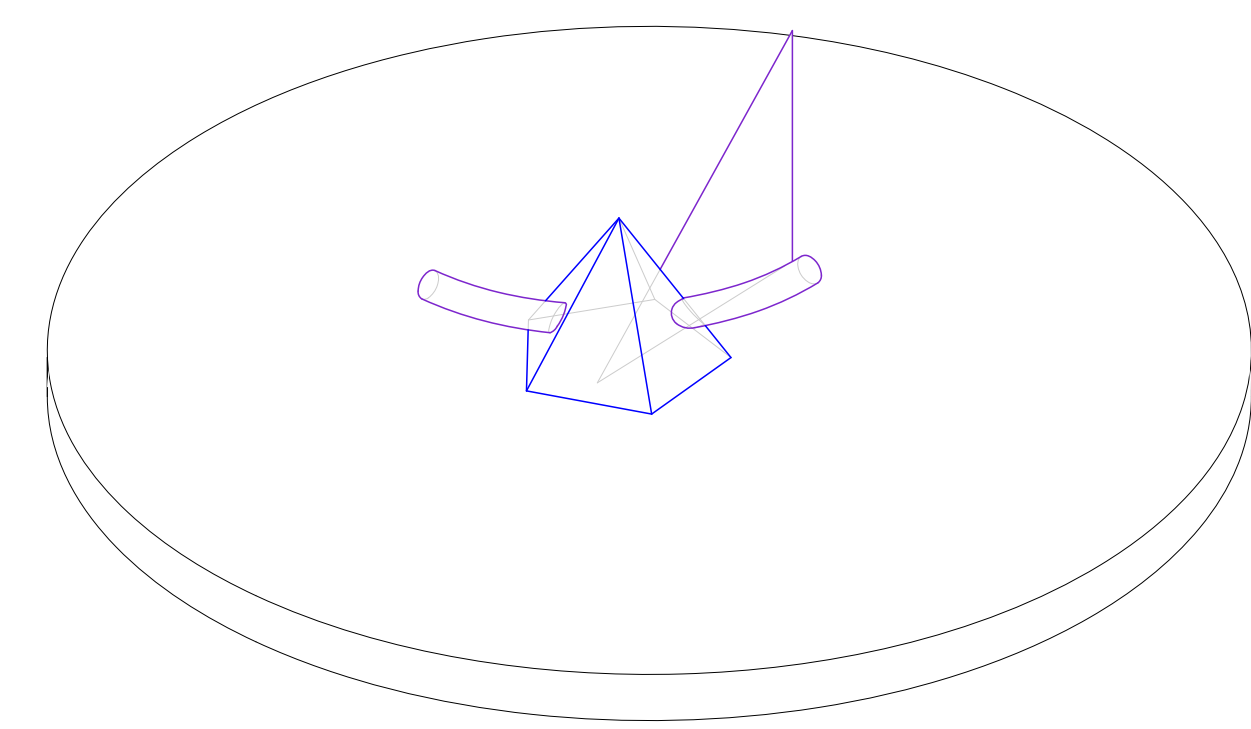
Round 1 OOPJ
1



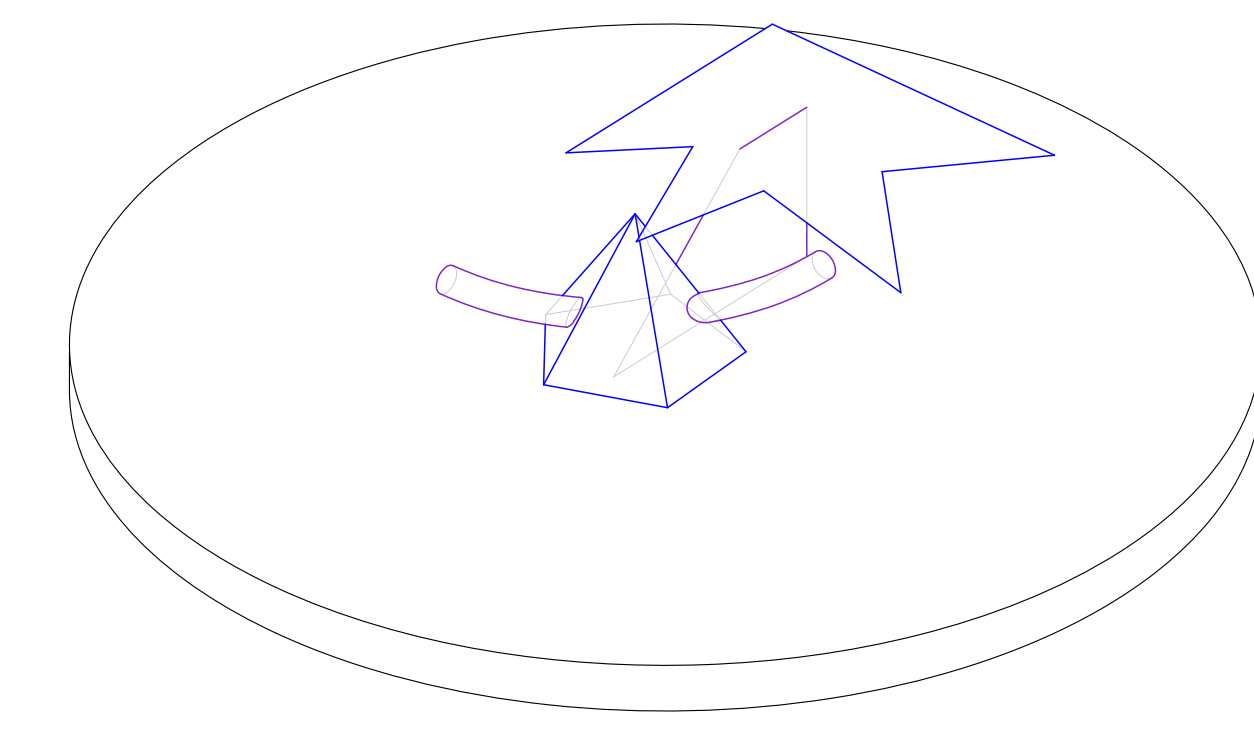
2 DTVI



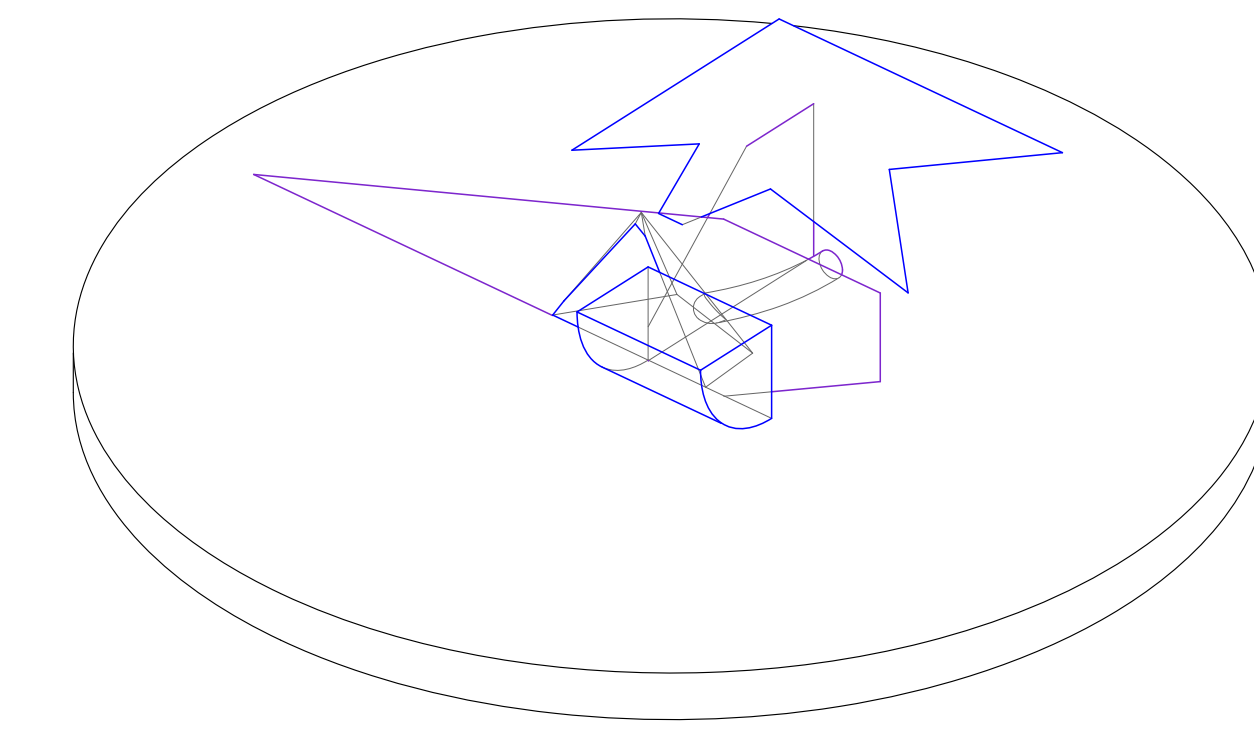
3 AOLS



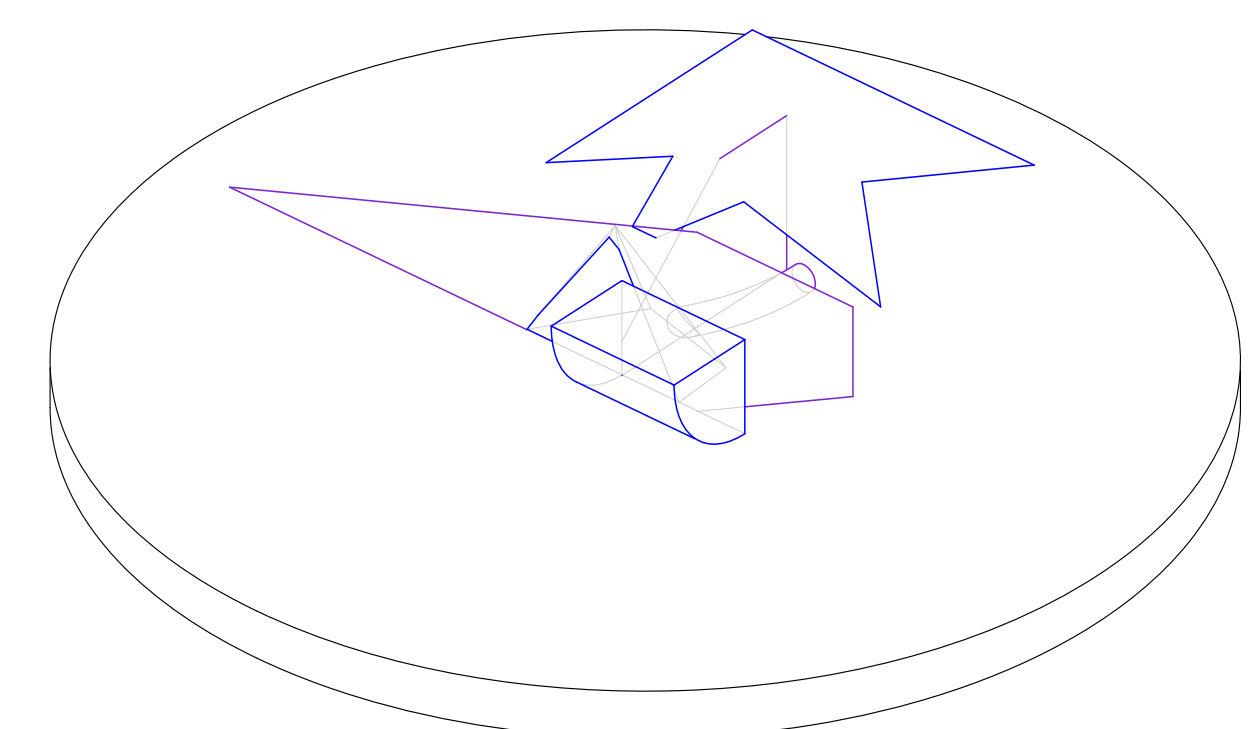
Round 2 OTLC
4



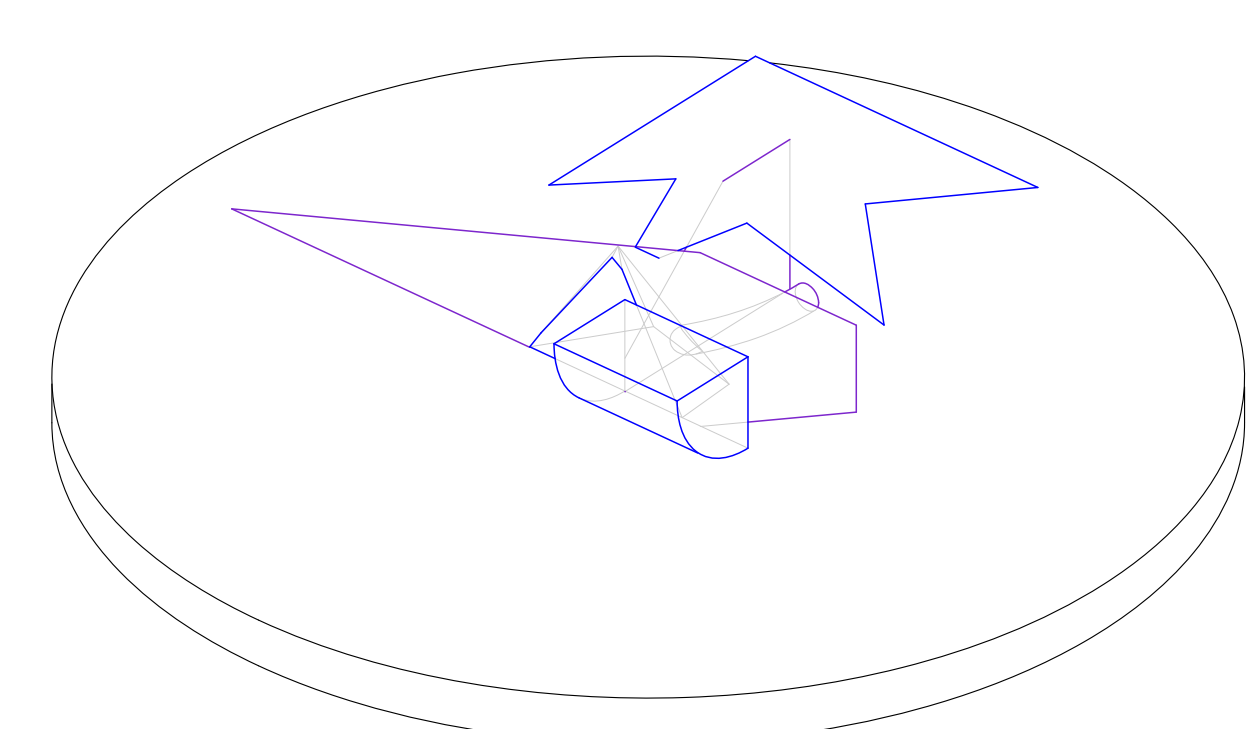
5 DOPJ



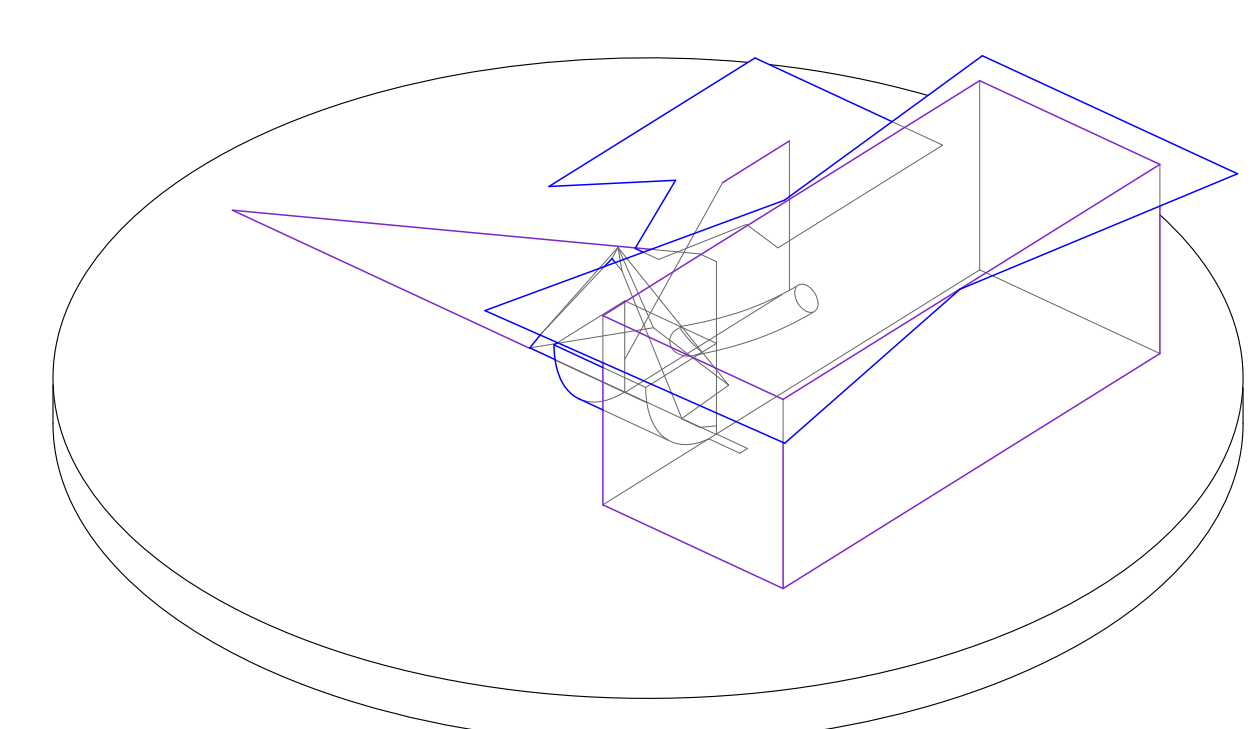
6 ATVI



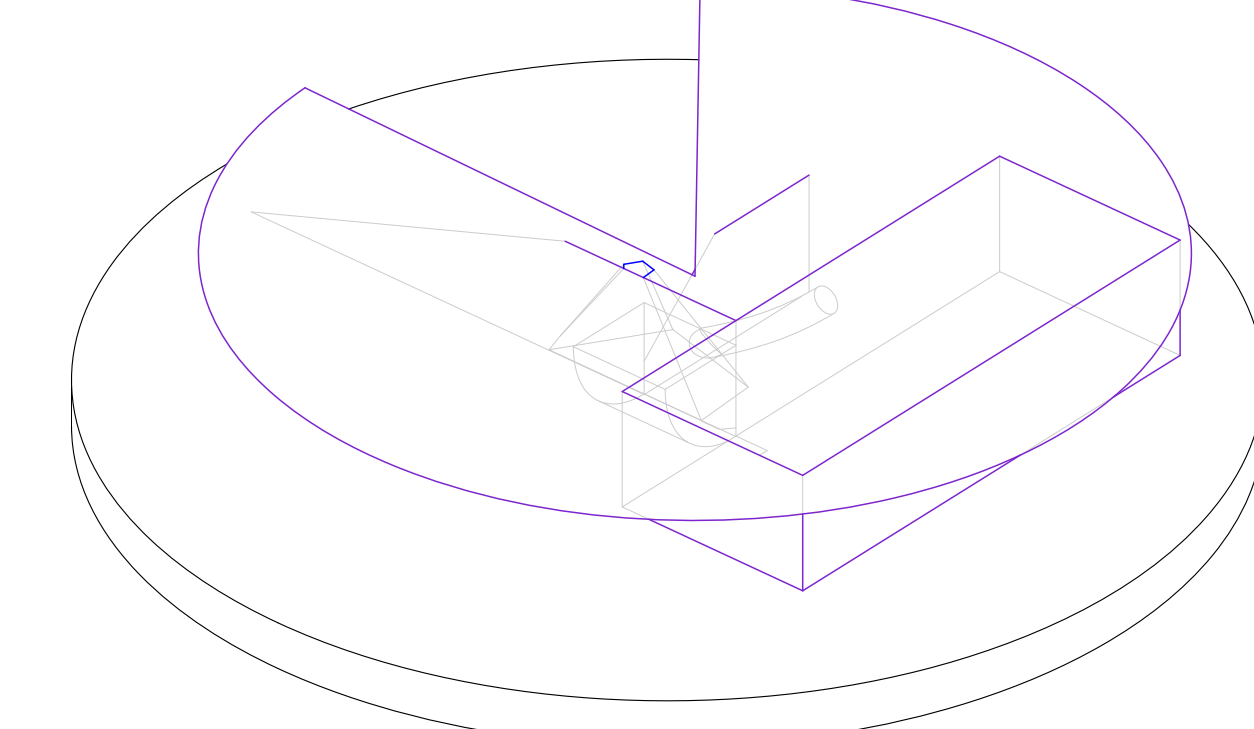
Round 3 OOVS
7



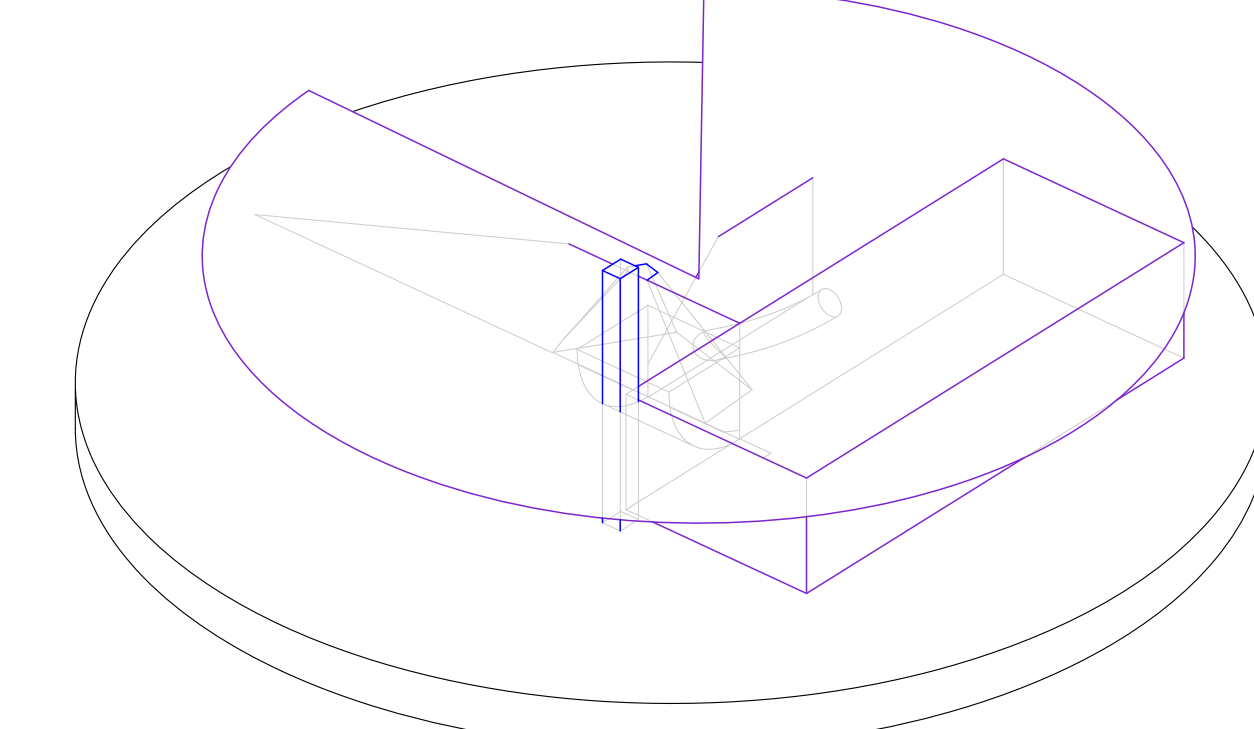
8 DTLC



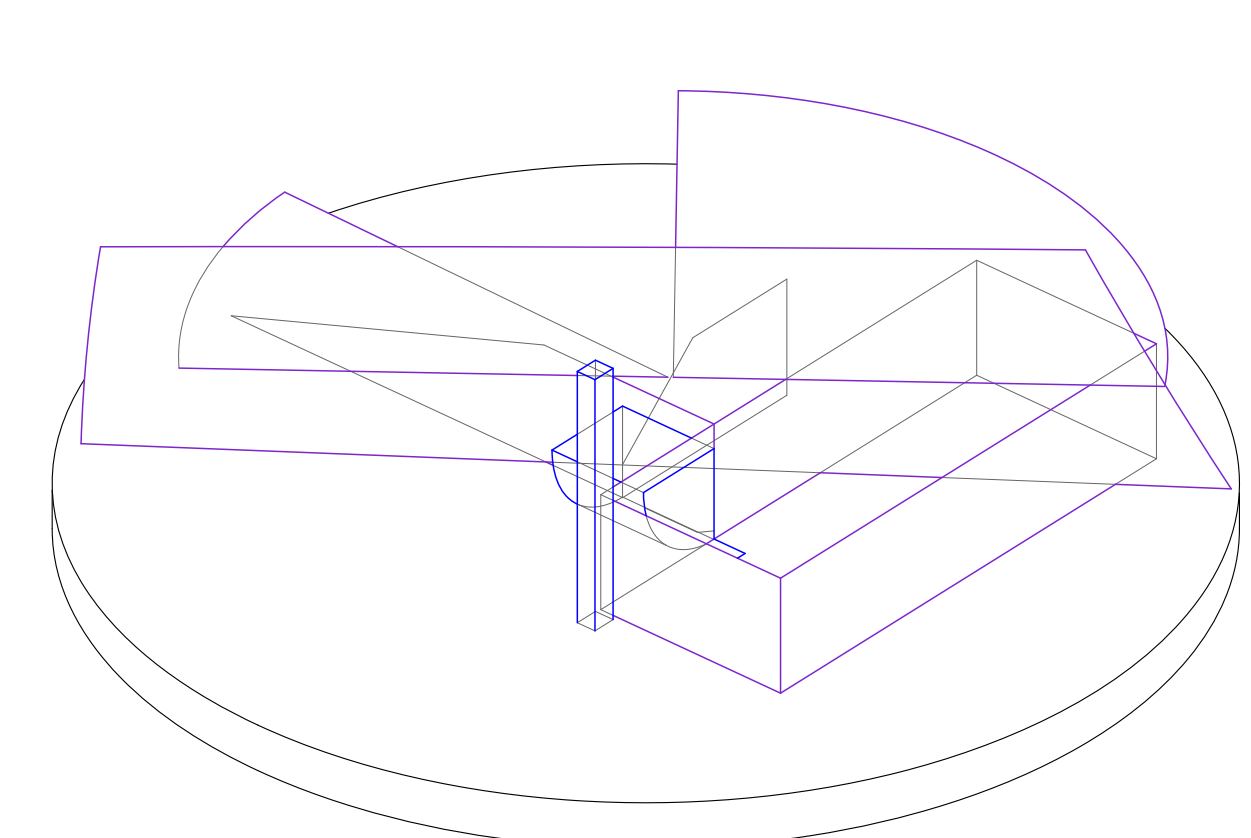
9 AOPJ



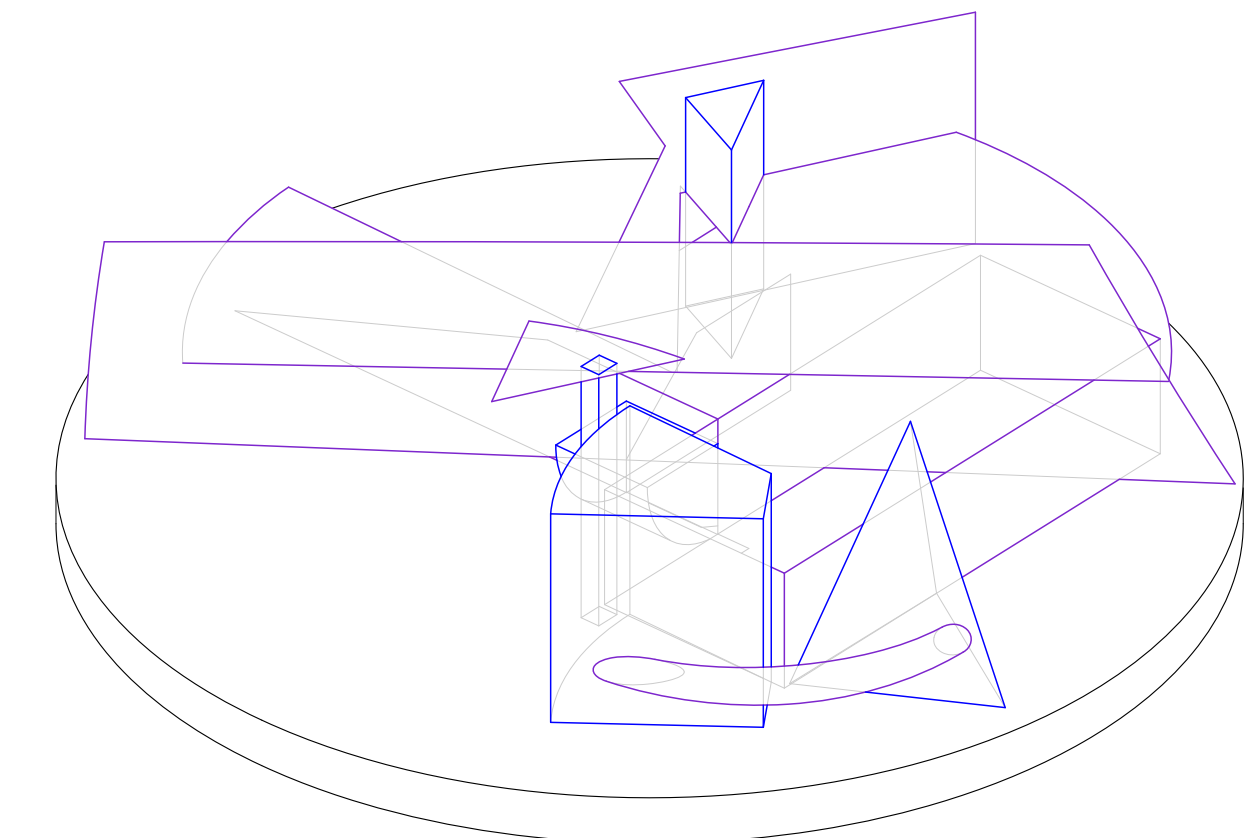
Round 4 OTLI
10



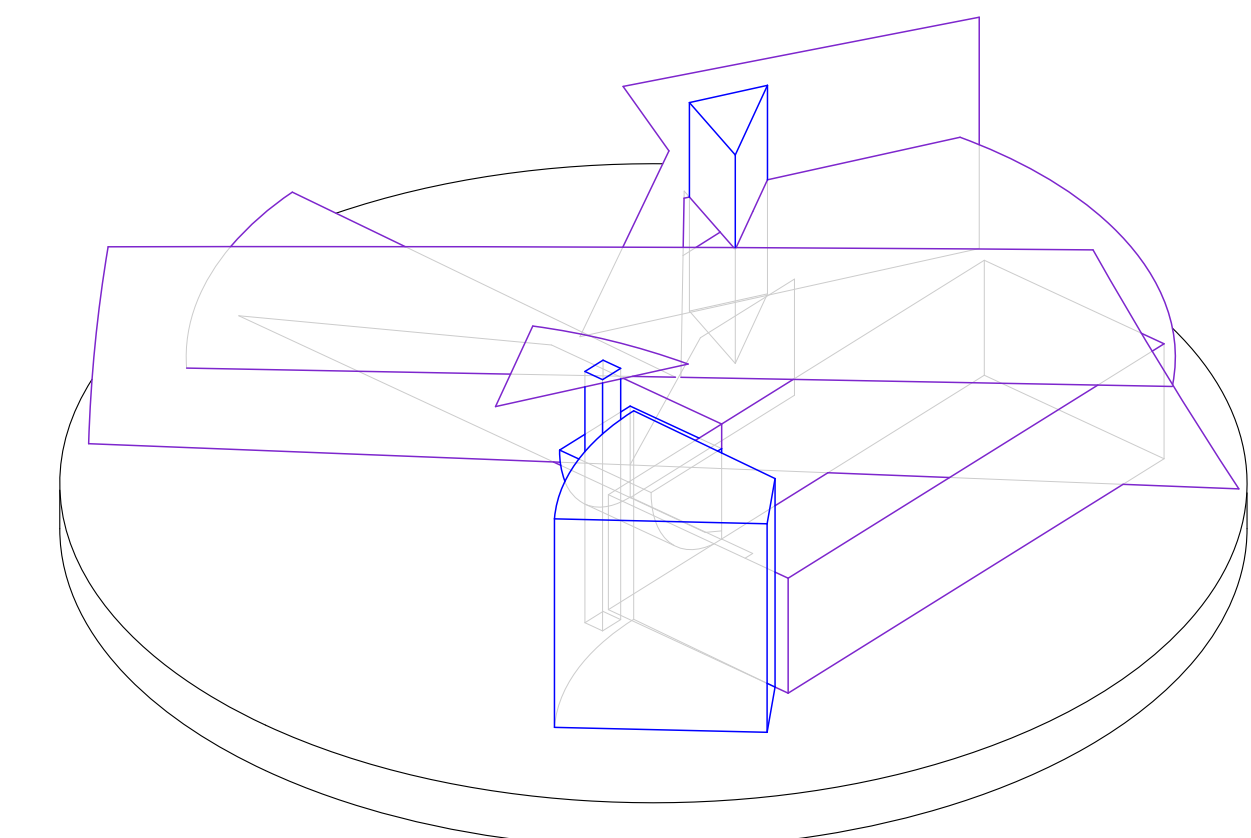
11 DOPS



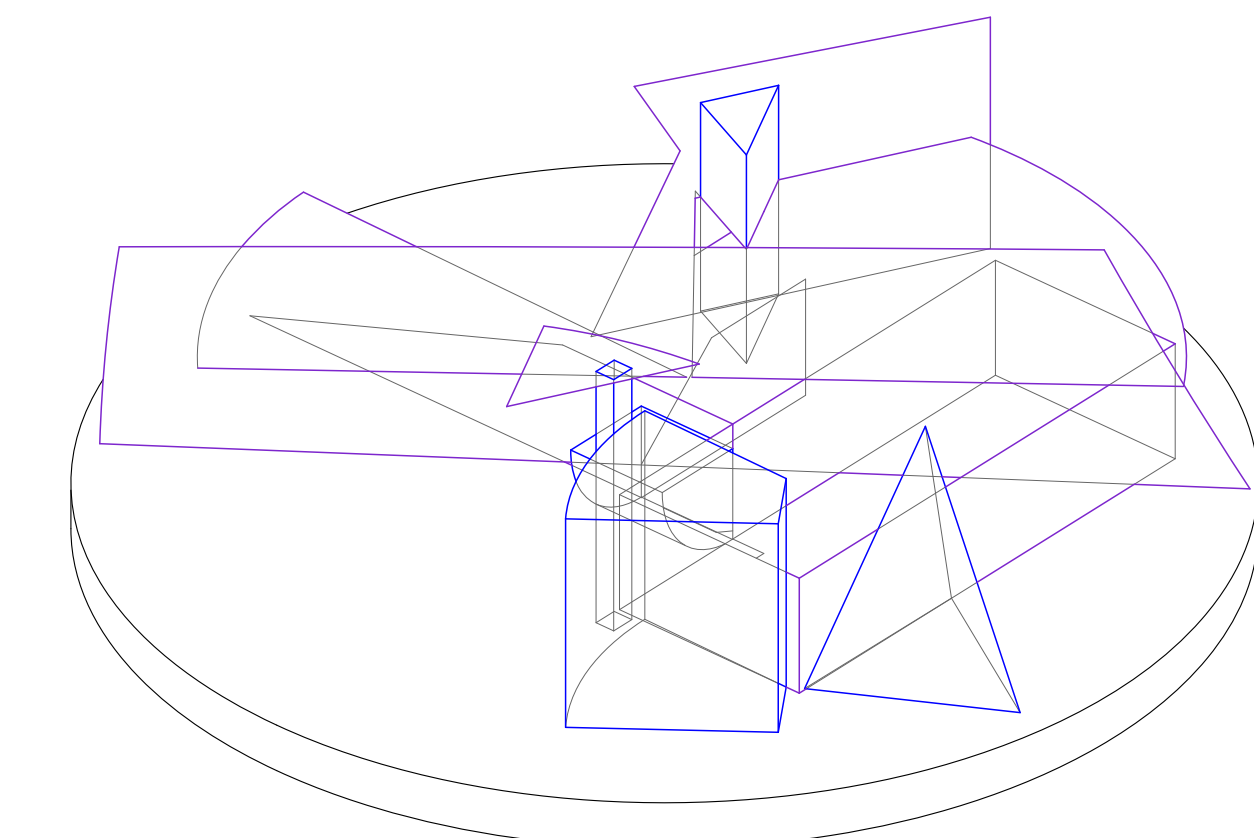
12 ATVC



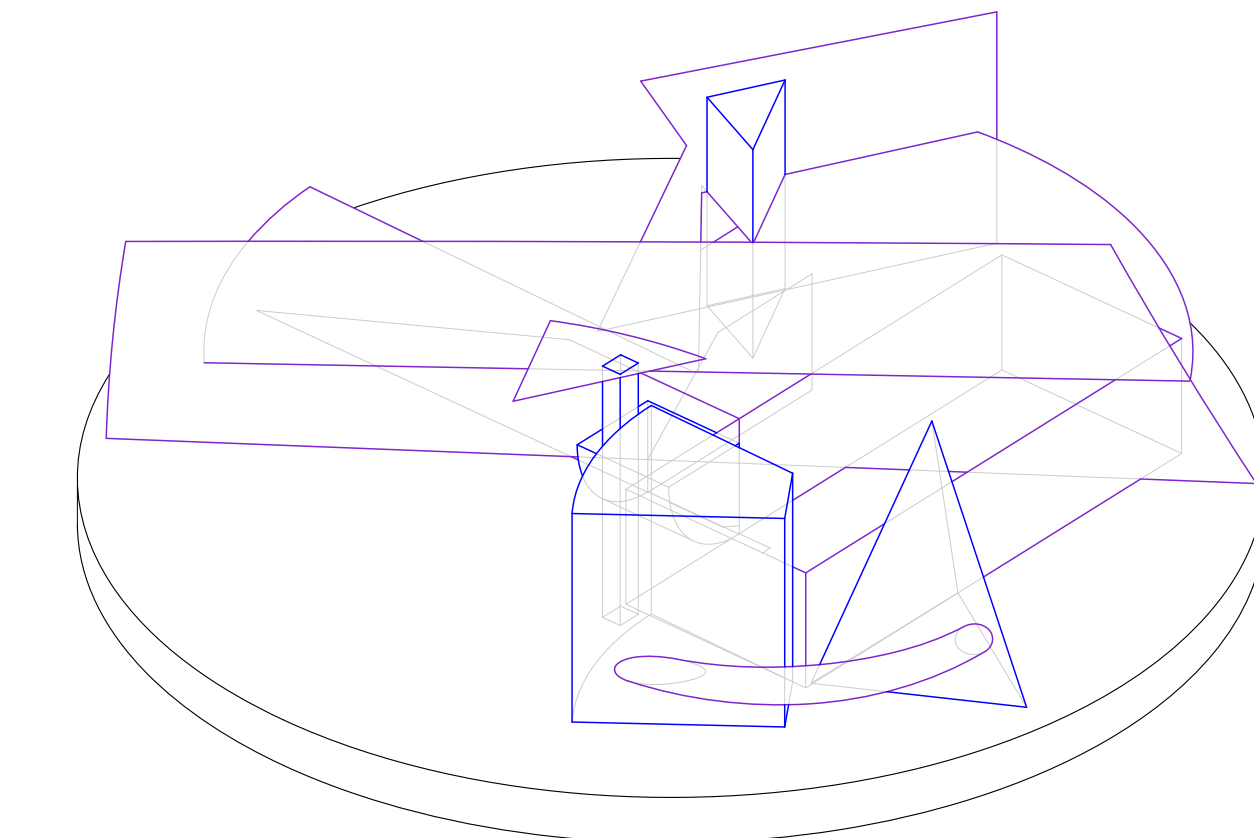
Round 5 OOPJ
13



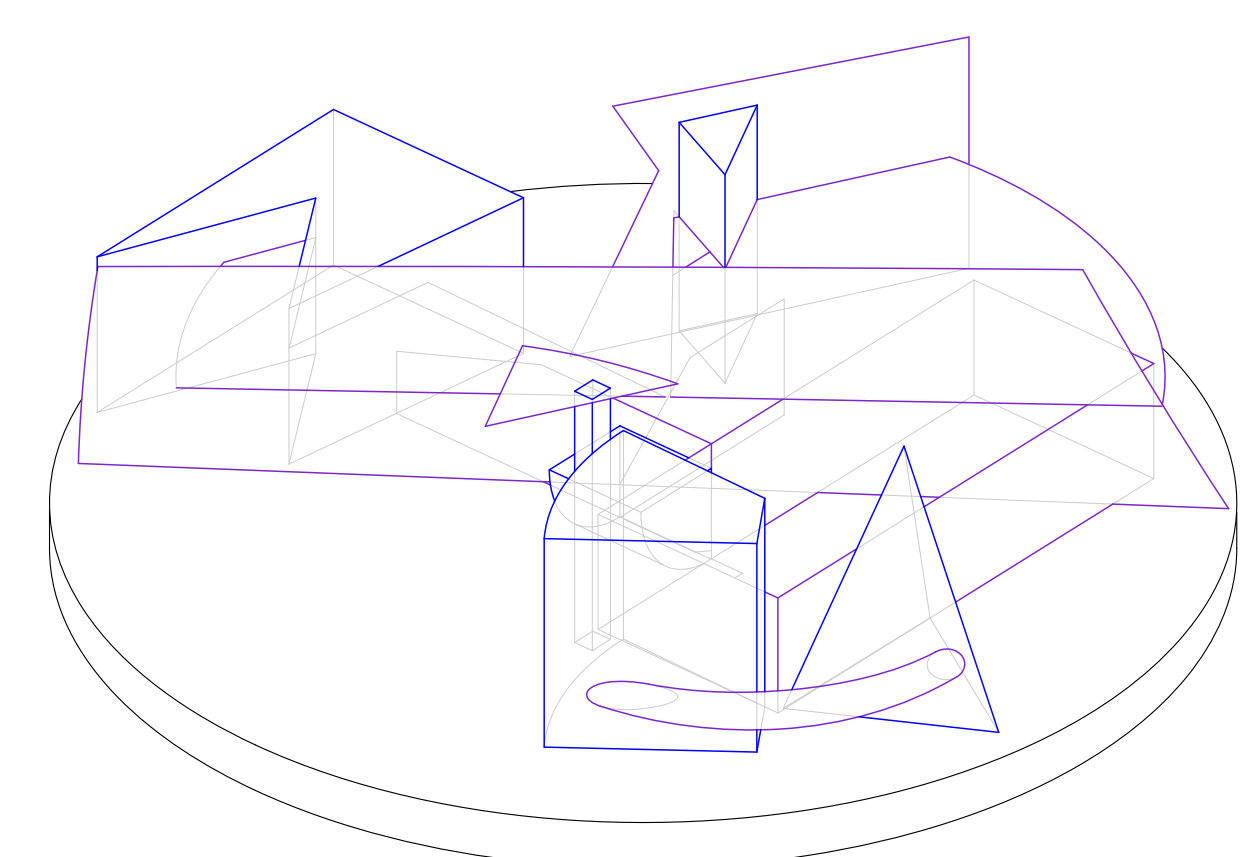
14 DTVI



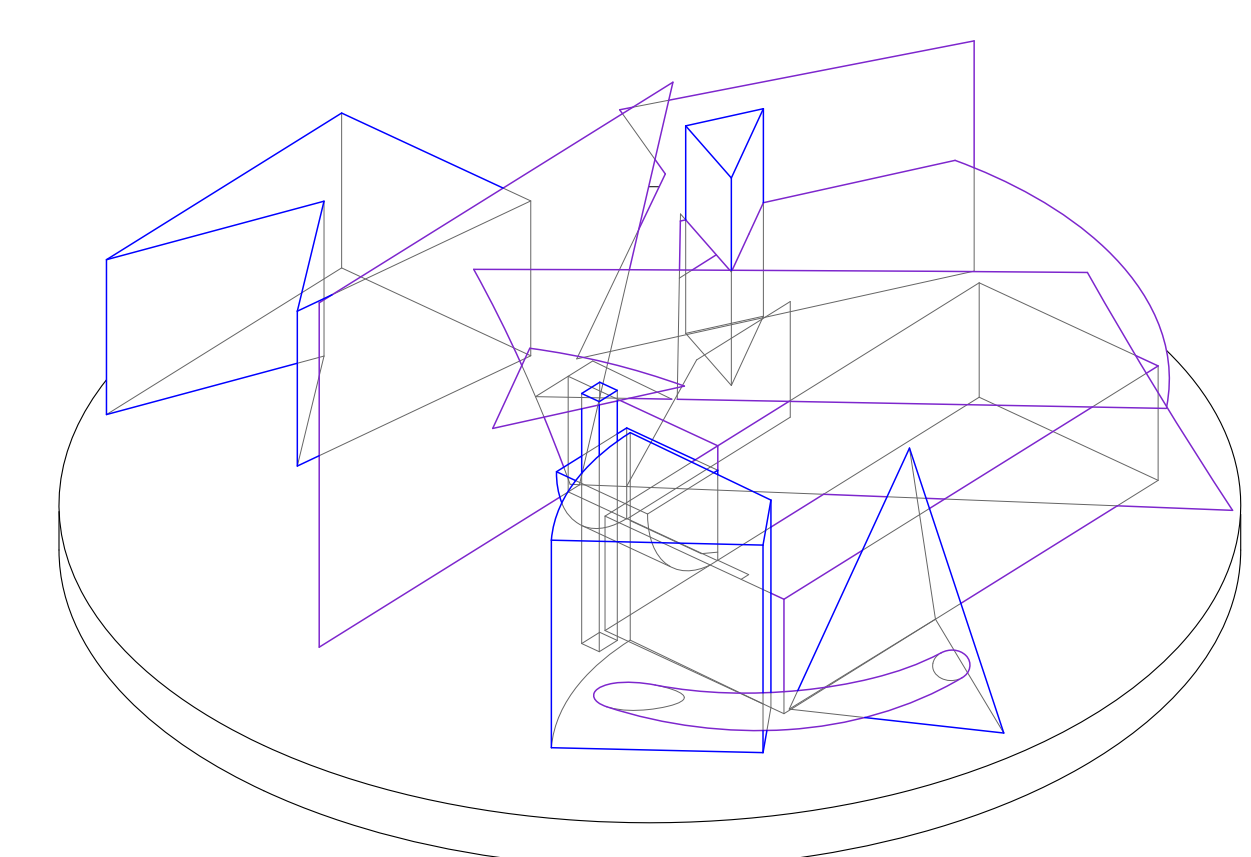
15 AOLS



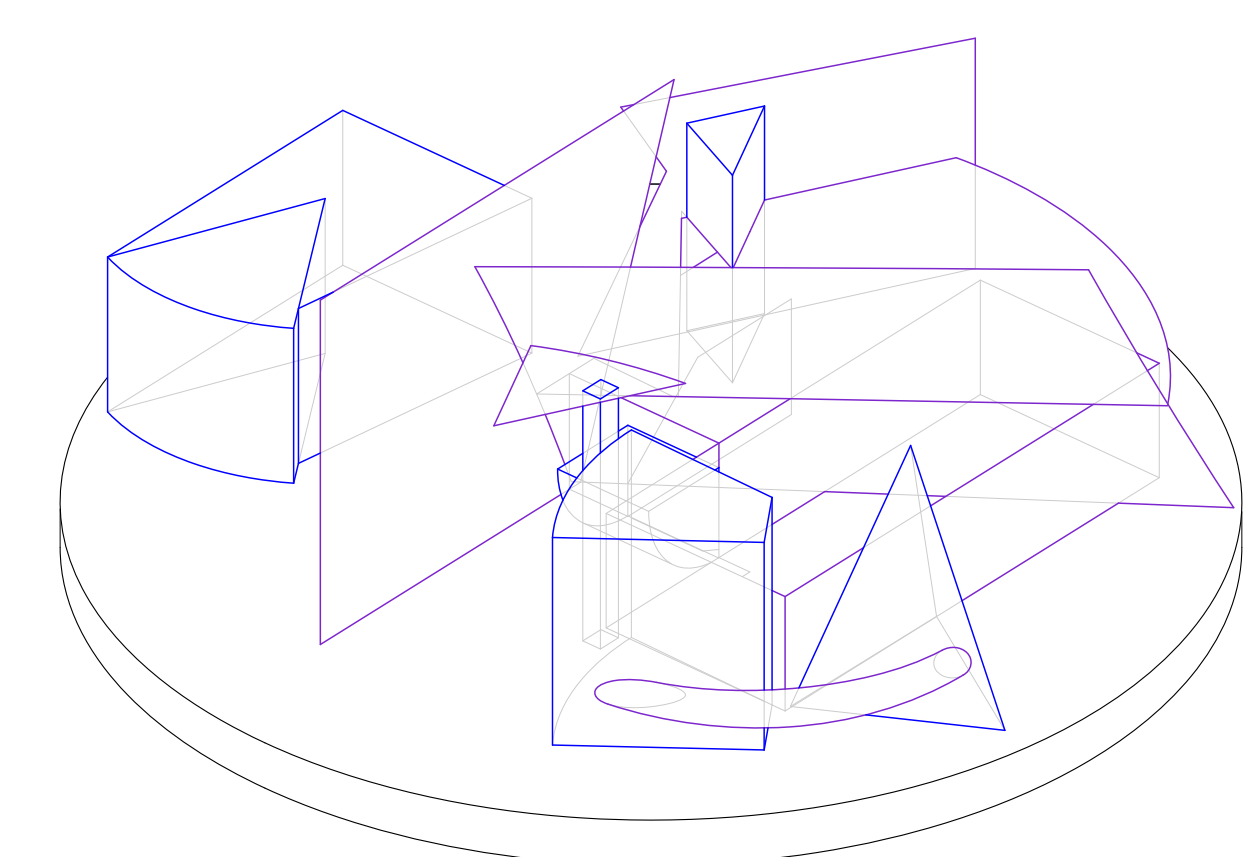
Round 6 OTVC
16



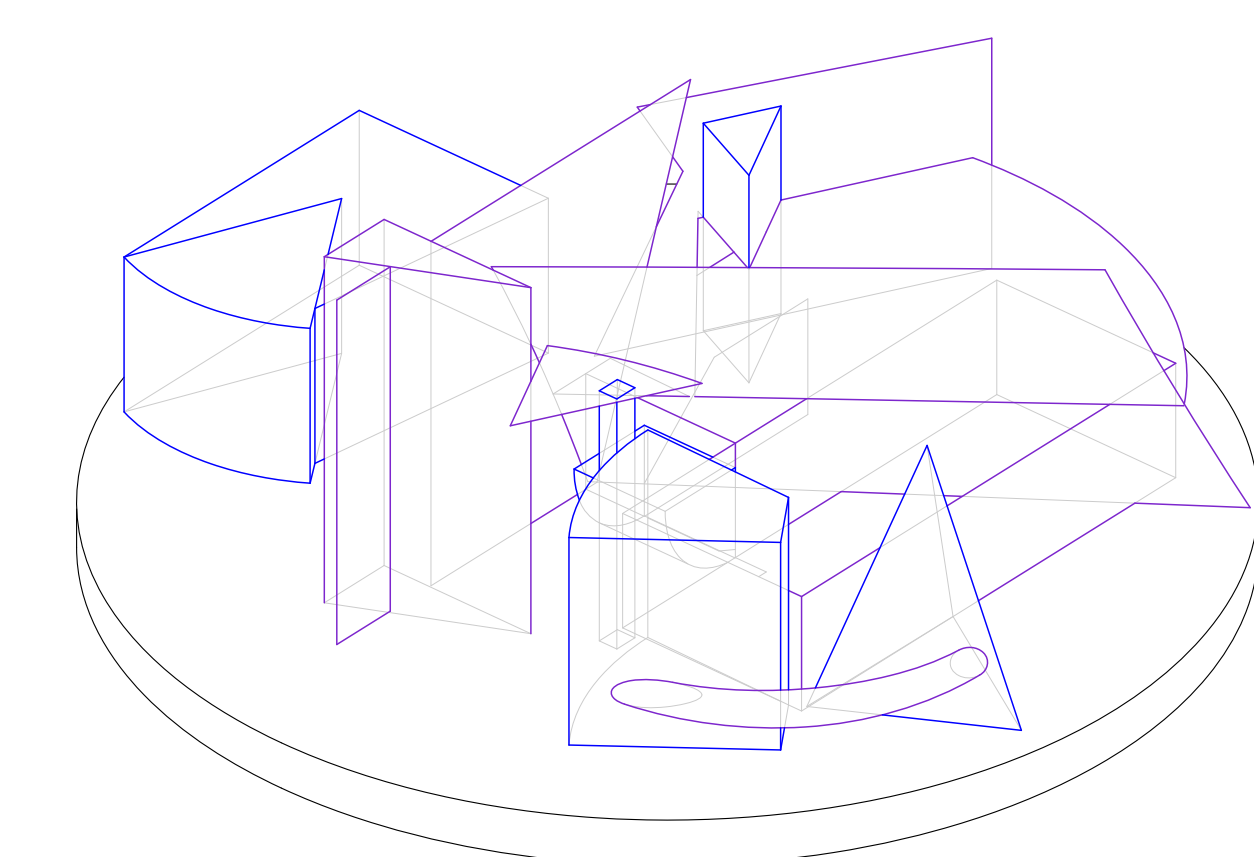
17 DOLJ



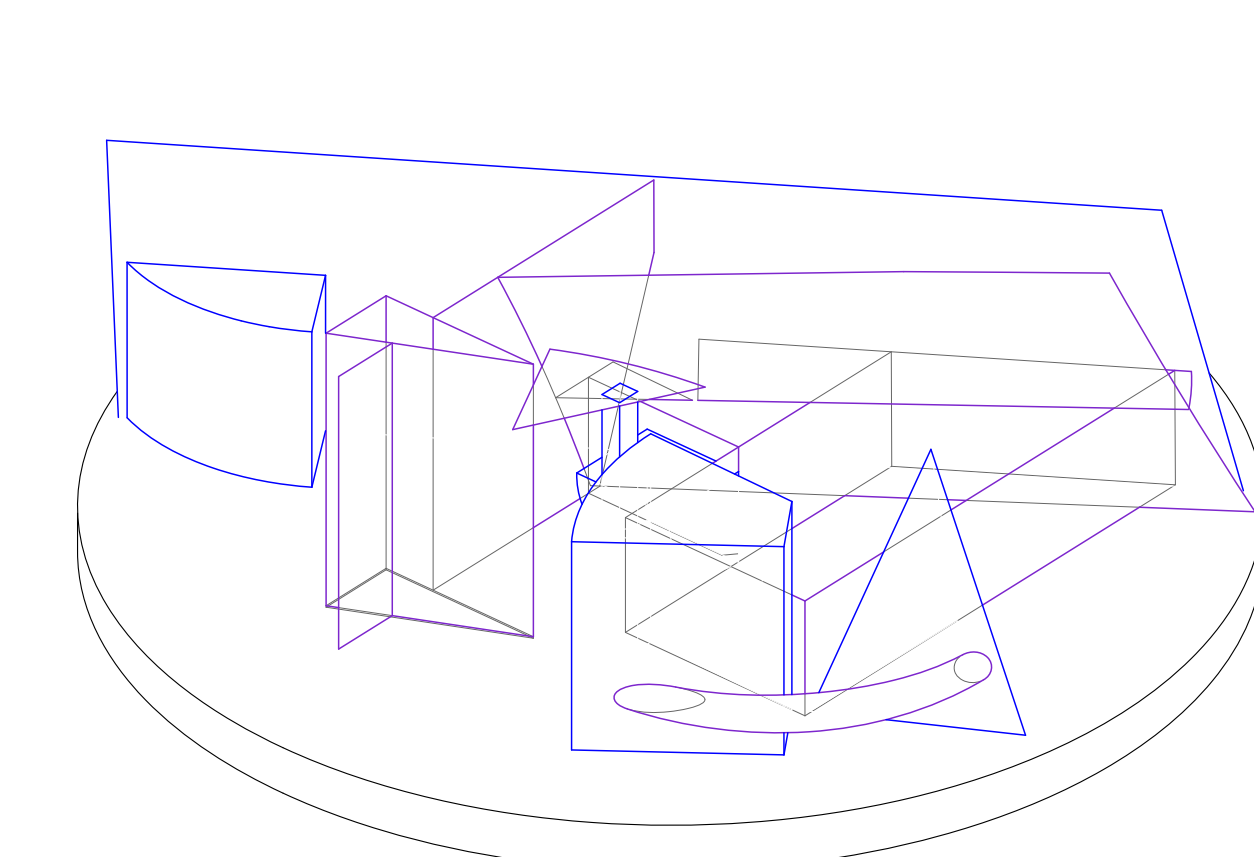
18 ATPI



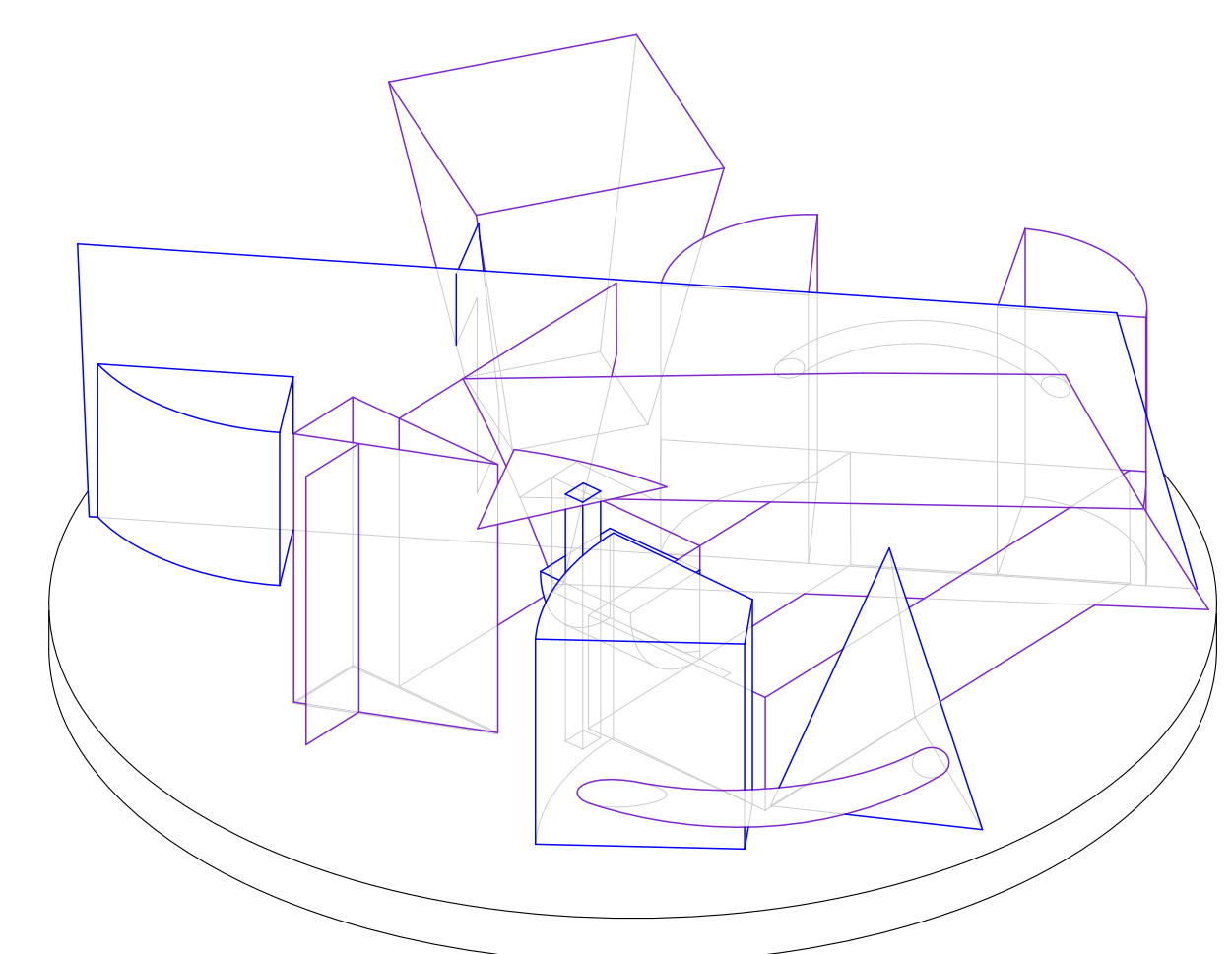
Round 7 OOVS
19



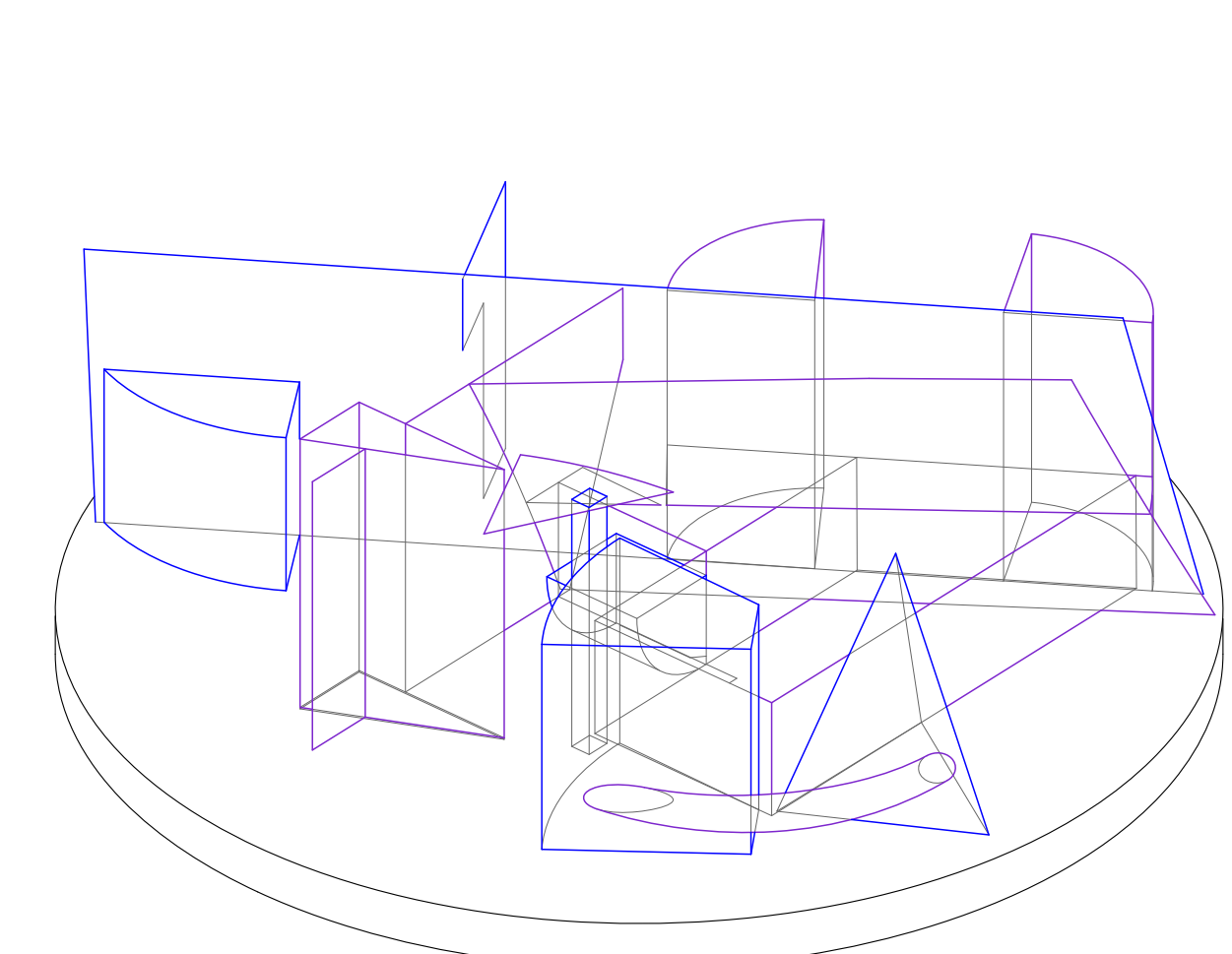
20 DTLC



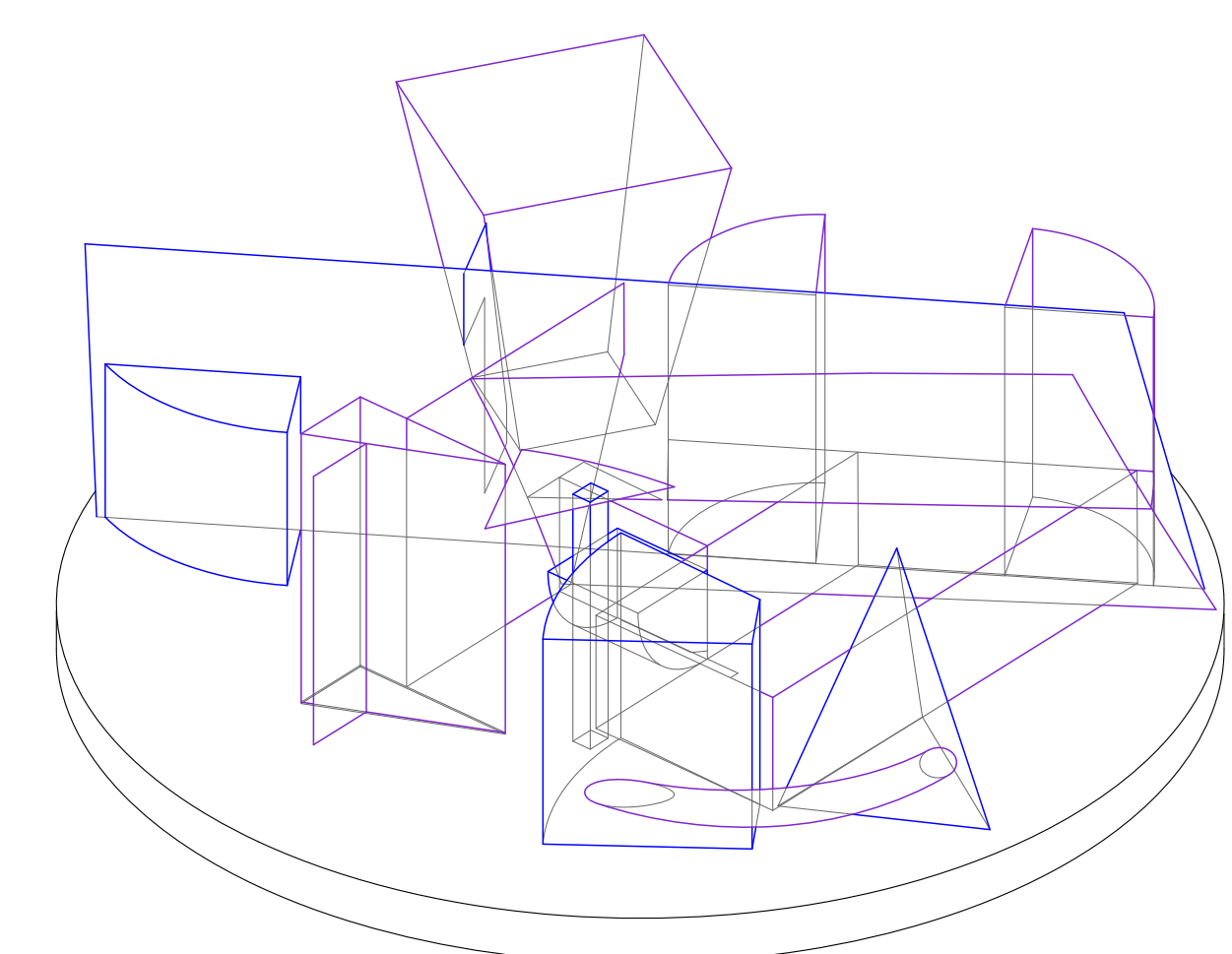
21 AOPJ



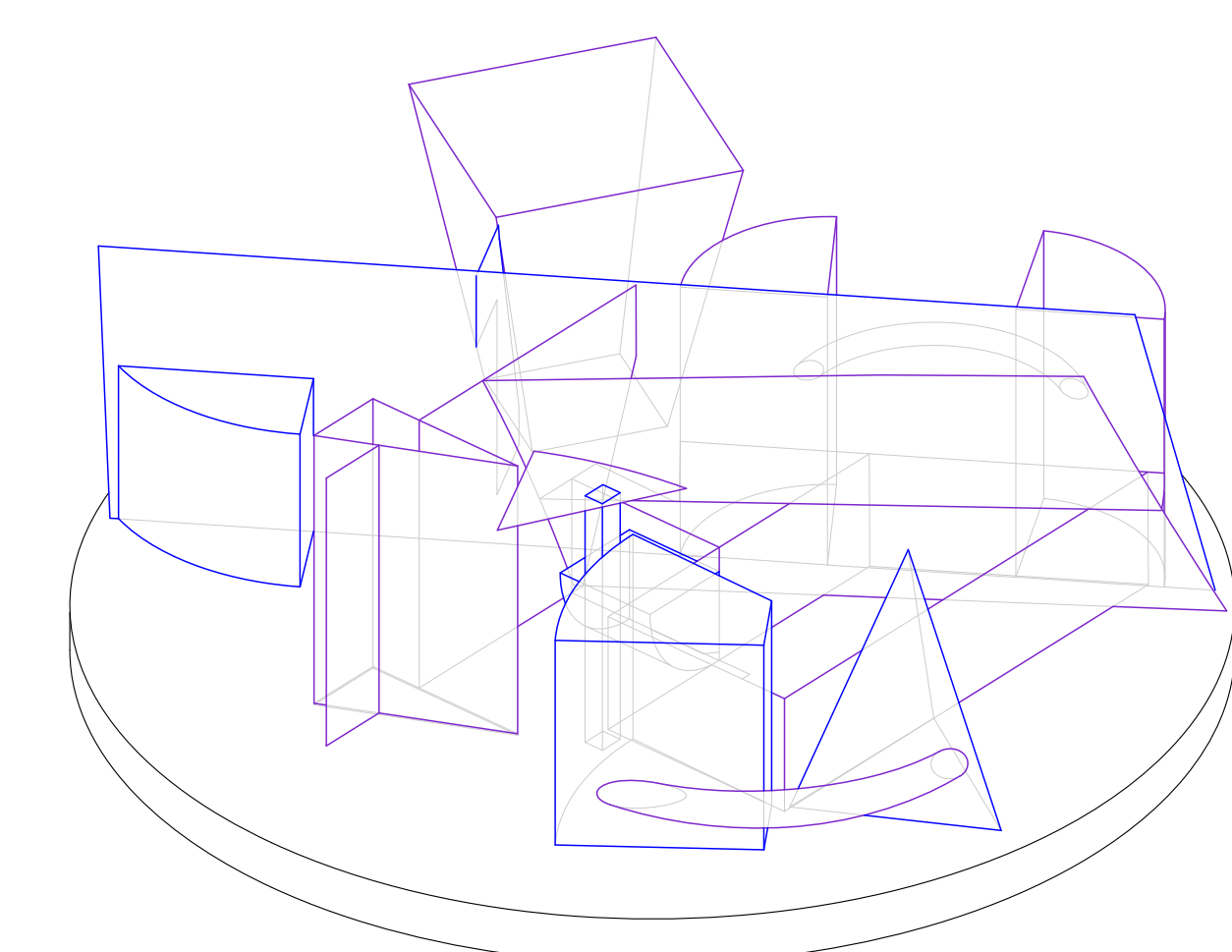
Round 8 OTPI
22



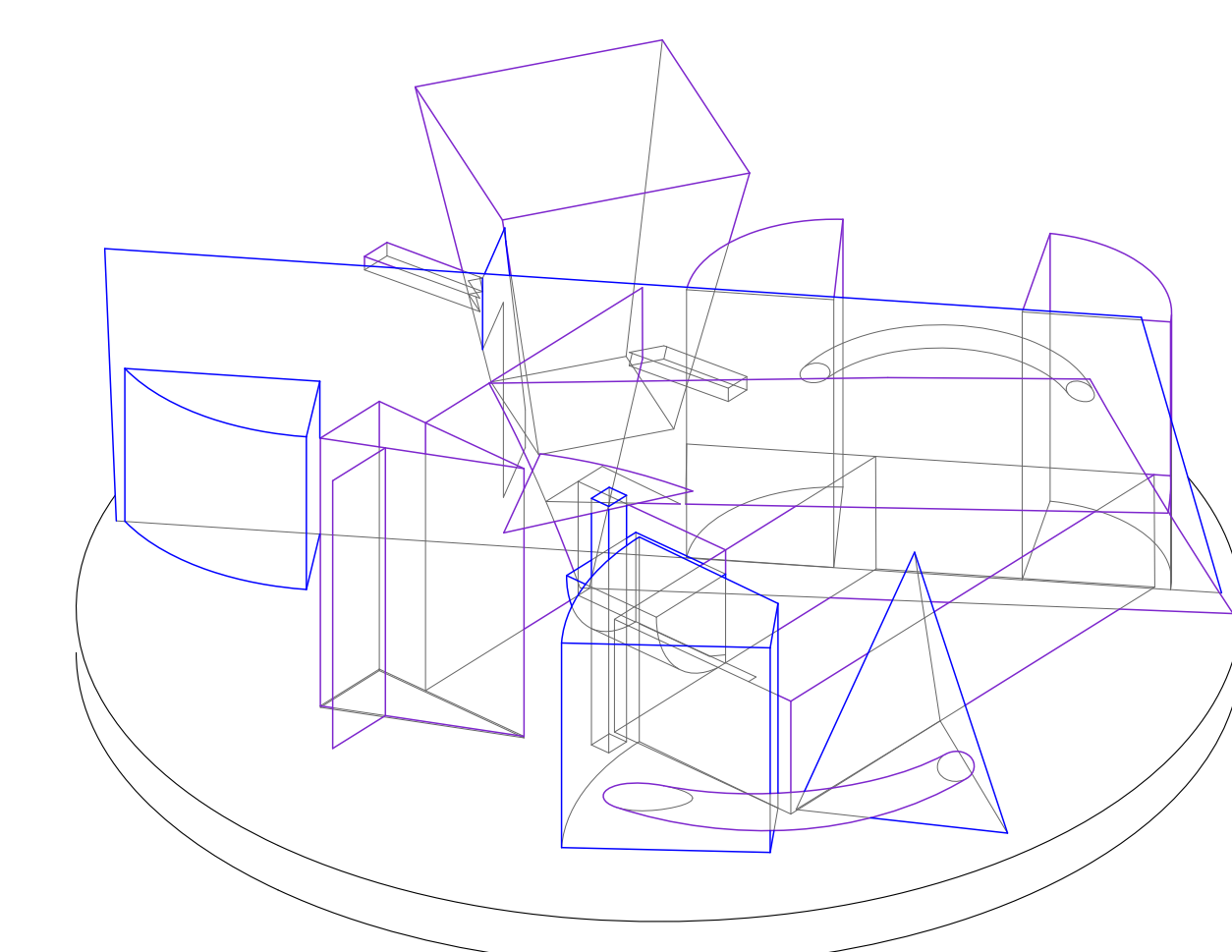
23 DOVS



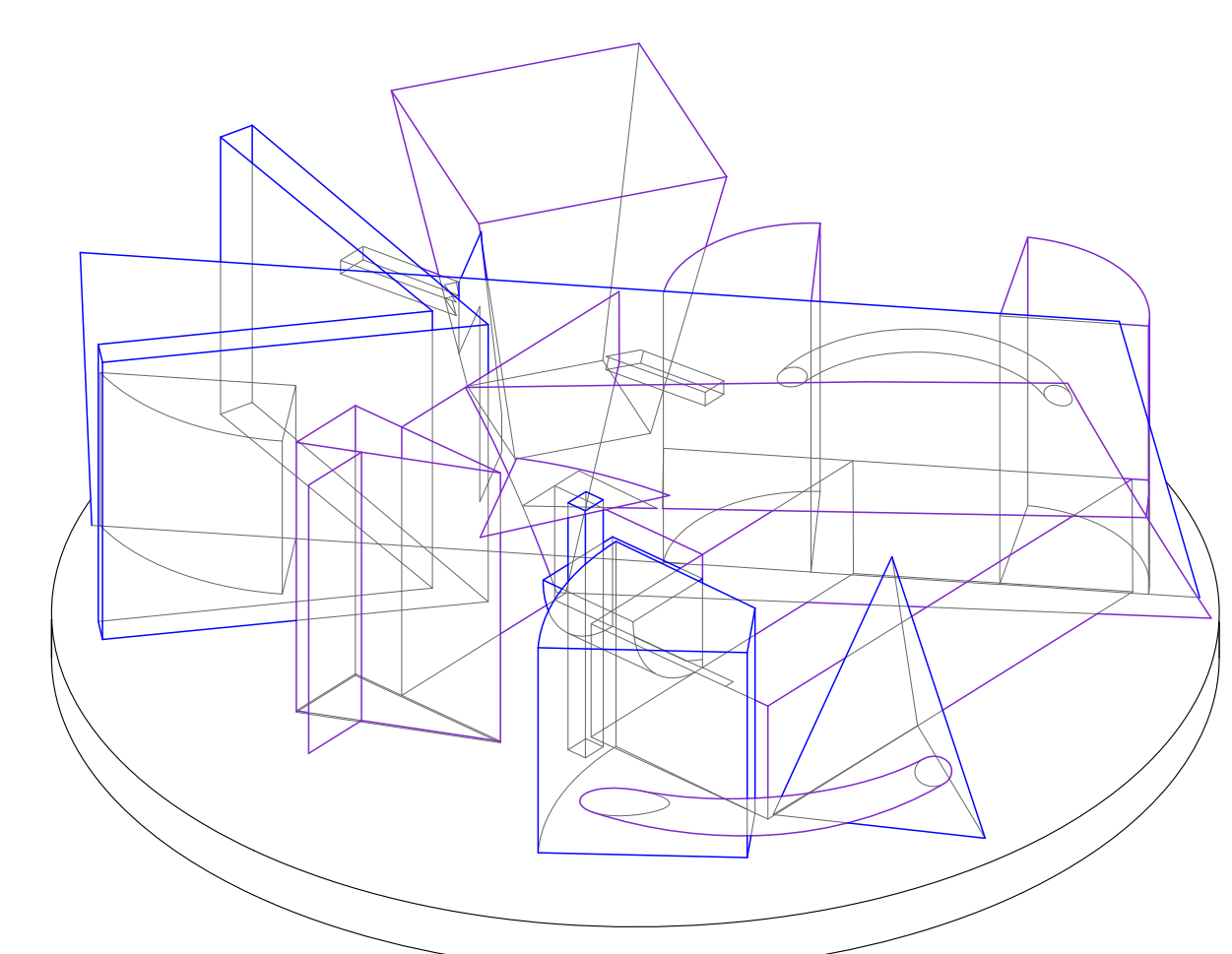
24 OOPJ



Round 9 ATLC
25



26 DTPI



27 AOVs

